



QT series

12407 Mukilteo Speedway, Suite 130, Lynnwood, WA 98087
Phone: (425) 322-3170 Fax: (877) 721-6107
info@amkspeaker.com www.amkspeaker.com

Self amplified speaker installation

This set up guide contains installation instruction of the AMK **QT series** of AMK self amplified speaker. This speaker is designed to use in plenum rated ceiling spaces and can be dropped into standard square (2' x 2' or 600mm by 600mm) or rectangular (2' x 4' or 600mm by 1200mm) false ceiling tile space on a T-Bar grid

WARNING: May result in serious injury. Installation and service must be performed by authorized personnel only.

Please check following parts

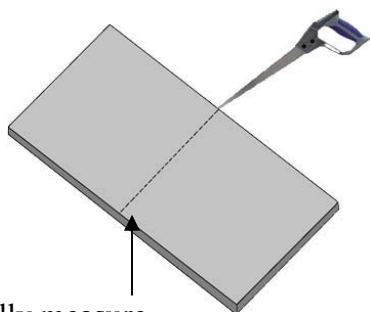
- 2' x 2' speaker grille with powered round speaker unit enclosed. **Total of 4 speakers**
(2 boxes total. One box containing (1) amplified speaker and (1) companion speaker.
One box containing (2) companions speakers)
 - 1 powered supply.
- Depending on the model ordered, the Audio Inputs and power supply will vary.
Please check your model according with our website for the configuration.

Consider following before the installation

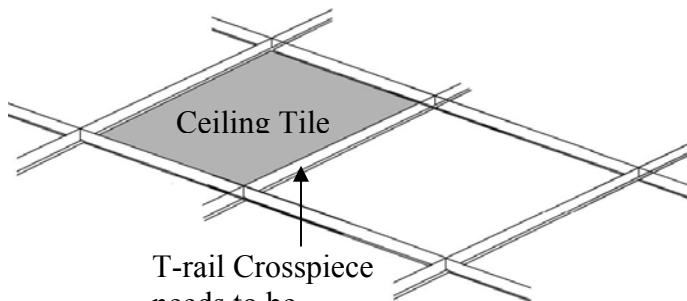
- Installation of conduit and conduit adapters must conform to all applicable building codes and local ordinances.
- The maximum wire gauge should be 12 AWG for both power and audio inputs.

Installation

1. Make sure that all the power is removed.
2. Remove and cut ceiling tile as shown below. If the tile is 2' x 4', then you will need to cut the tile into half. Install the T-rail crosspiece into the ceiling opening up against the cut tile, as shown below.

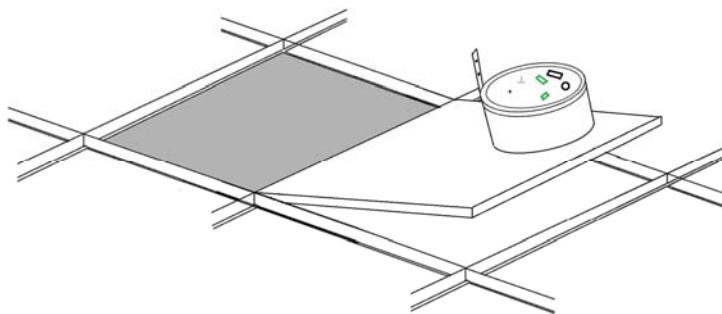


Carefully measure and draw the line at the halfway point.



T-rail Crosspiece needs to be installed.

3. Install the T-rail in a rectangular tile –
When the ceiling uses rectangular tiles, install the T-rail crosspiece into the ceiling opening up against the cut tile.



4. Connect appropriate cables and plugs.
Connect the right plugs for the audio and power into the jacks on the top of the enclosure. Different types of connections are shown on next page.

Lay in the speaker appropriately as it is shown above.

Wire Connections

POWER SUPPLY WIRE CONNECTIONS BY MODEL SUFFIXES

QT - SM, OM, JFS, JFM, MDL

QT - MD, CFS, CFM, RPS, RPM



12VDC Power 2.5 N Plug:
For N type power, use the schematics above for attaching wires, paying close attention to polarity and position.



The speaker comes with one screw mount power supply with the eyebolt for securing power supply to the outlet.
24VDC Power Input :
Make sure that the polarity connection matches (+ to + and - to -).

AUDIO CONNECTIONS BY MODEL SUFFIXES

QT-SM, RPS

QT-OM, RPM

QT-CFS, JFS



There are 2 RCA jacks on these models for stereo to mono unbalanced RCA plug connection.



One RCA jack on these models for one unbalanced RCA plug connection.



4 position Phoenix type connector.
Stereo to mono unbalanced stereo audio to unbalanced input.

QT-CFM, CFM2, CFM3, CFM4, JFM, JFM2, JFM3, JFM4

QT - MD, MD2, MDL, MD2L

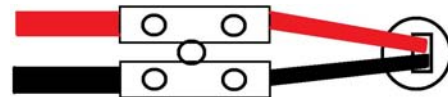
Companion speaker connection



3 position Phoenix type connector.
Unbalanced line audio to balanced input.



3.5mm stereo to mono combined audio input



The weco-style connectors are wired using red to red and black to black polarity
The companions speakers MUST be connected in parallel as shown below

QT Series Illustration

Typical layout of a classroom or a board room A/V system using AMK QT series speakers

