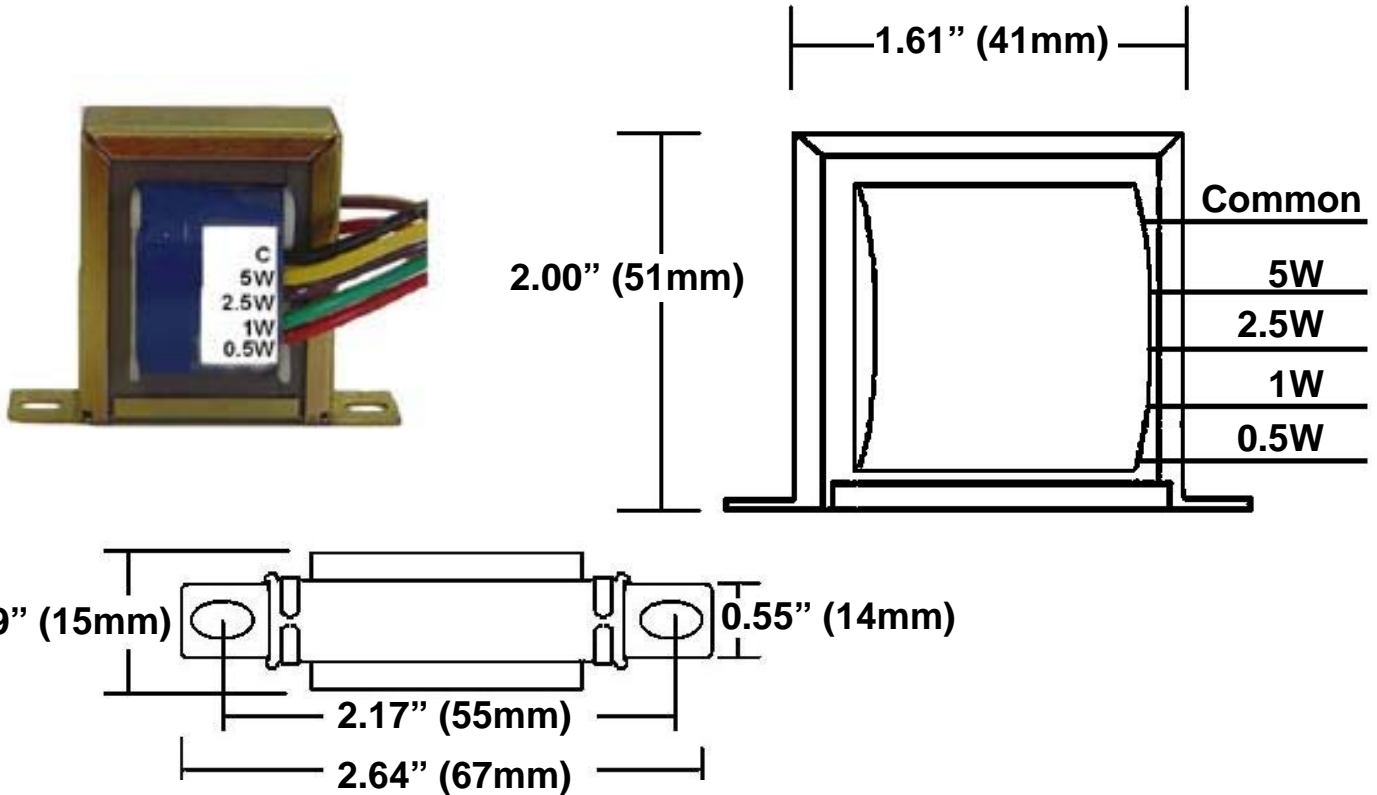




AMK Commercial Series

T70V5W

70volt 5watts Transformer for Loudspeaker



Specifications:

Primary Voltage	70 volts
Power Rating	5 Watts
Primary Taps	5, 2.5, 1, 0.5W
Secondary Impedance	8, 4 Ohms
Insertion Loss	.8dB
Frequency Response	50 – 15kHz \pm 1dB
Lead Length	8.5 in.